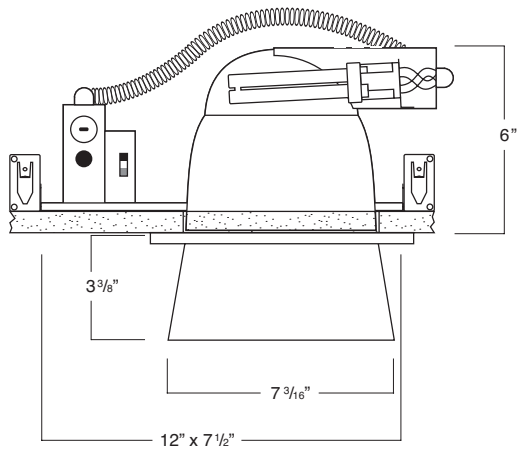


## 6" OPAL GLASS SEMI RECESSED DOWNLIGHT



- 4831**—Open Aperture
- 4832**—Frosted Glass Diffuser

### SPECIFICATION INFORMATION

#### HOUSING ASSEMBLY

- Pre-coated galvanized steel mounting frame and J-box.
- Telescopic bar hangers supplied, provides for off-center mounting on joists or T-bar.
- Self flange type trim for clean, contemporary appearance.
- Ground wire included (prewired).

#### GLASS

- **4831**—Opal glass with open aperture.
- **4832**—Opal glass with frosted glass diffuser.

#### BALLAST

- Standard in universal voltage 120V through 277V.
- Thermally protected rapid start electronic ballasts use 4-pin lamps
- .99 power factor with THD<10%.
- End of lamp life protection.

#### ELECTRICAL

- Allows 4-in/4-out #12 AWG conductors rated at minimum 90° C.
- J-box and ballast are both accessible through fixture.
- UL /cUL listed for use in damp locations.

#### ACCESSORIES

- **CP**—Chicago plenum
- **FS**—inline fuse

#### DIMMING

- Voltage *must* be specified.
- Controls lumen output down to ±5%.
- Compatible dimmers required for all ballasts.
- **D3** Advance Mark X for 18, 26 or 32W lamp.
- **D4** Lutron Tu-Wire for 18, 26 or 32W lamp. 120V *only*.

- **D5** Advance Mark VII for 18, 26 or 32W lamp.
- **D8** Lutron Hi-Lume for 26 or 32W lamp. Controls lumen output down to ±1%.  
*Note:* two Lutron Hi-Lume ballasts are required for 2-lamp fixtures.
- **D9** Lutron Eco System for 18, 26, 32W lamps.

#### EMERGENCY

- Voltage *must* be specified.
- **EM** emergency power provides 650 lumens for one lamp for 90 minutes
- **EM13** emergency power provides 1300 lumens for one lamp for 90 minutes

### ORDERING INFORMATION

#### LAMP

- 1-18** 18W triple tube
- 1-26** 26W triple tube
- 1-32** 32W triple tube
- 2-18** 18W quad tubes
- 2-26** 26W quad tubes

#### 120V ELECTRONIC

- 4831.0.1** 120V opal
- 4832.0.1** 120V opal

#### 277V ELECTRONIC

- 4831.0.2** 277V opal
- 4832.0.2** 277V opal

### SUBMITTAL INFORMATION

**TYPE:**

**PROJECT:**

**NOTES:**

**DESCRIPTION:**

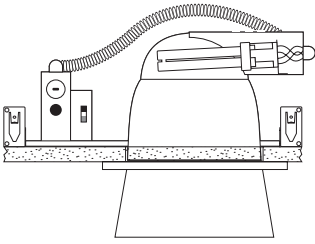
**DELRAY  
LIGHTING  
INCORPORATED**

**4  
8  
3  
1  
/  
3  
2**

BURBANK,  
CALIFORNIA,  
91505  
WWW.  
DELRAY  
LIGHTING.  
COM

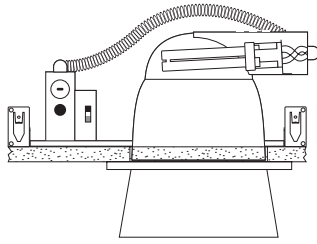
**2-18W PLT**

**4831**

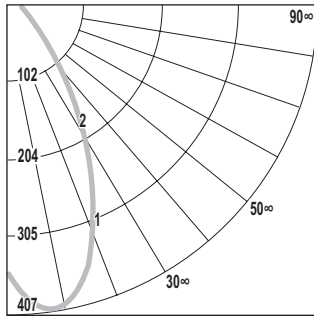
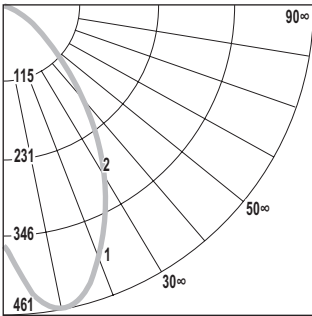


**2-18W PLT**

**4832**



**CP DISTRIBUTION**



**COEFFICIENTS OF UTILIZATION**

% CEILING 80	% WALL 70 (20% FLOOR)		
	50	30	
0	35	35	35
1	32	31	29
2	30	27	26
3	27	25	23
4	25	22	20
5	24	20	18
6	22	19	16
7	21	17	15
8	20	16	14
9	18	15	13
10	17	14	12

% CEILING 80	% WALL 70 (20% FLOOR)		
	50	30	
0	25	25	25
1	23	22	21
2	21	20	19
3	20	18	17
4	19	16	15
5	17	15	13
6	16	14	12
7	15	13	11
8	14	12	10
9	14	11	10
10	13	10	9

**NOTES**

**4831.0**

2-18W triple tube  
 G24q-2 electronic socket  
 Total lumens: 2500  
 Spacing criteria: 1.24  
 Efficiency: 29.1%

**NOTES**

**4832.0**

2-18W triple tube  
 G24q-2 electronic socket  
 Total lumens: 2500  
 Spacing criteria: 1.0  
 Efficiency: 21.1%